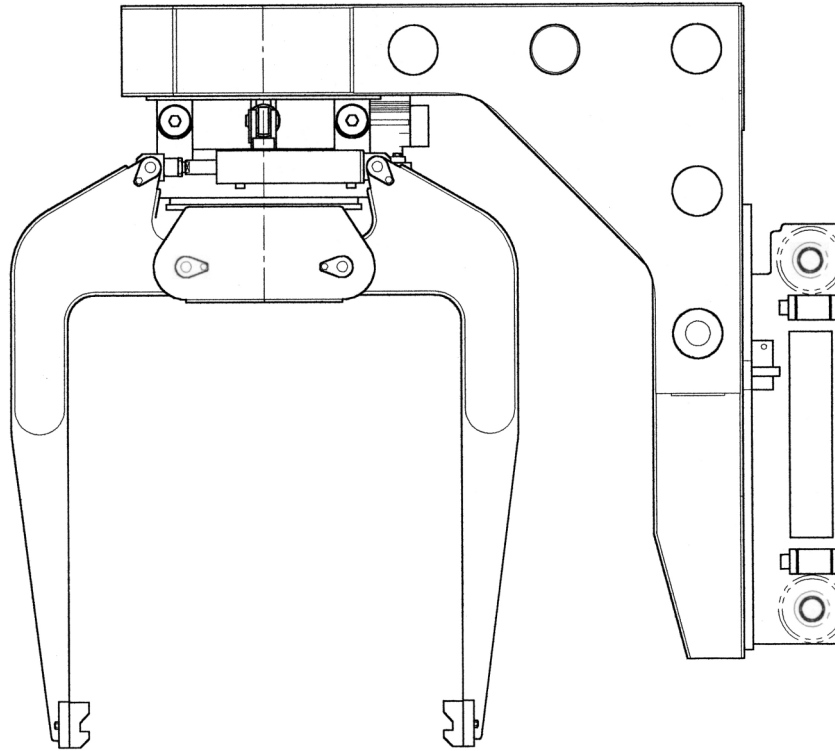


BC 30R Rotating Block Clamp



Model:	BC 30R
Capacity:	3000 kg at 1350 mm load centre
Centre of Gravity:	1100 mm
Weight:	1700 kg
Opening Range:	600 - 1250 mm
Inside Height:	1250 mm
Rotation:	360 Degrees Continuous
Sideshift:	200 mm total
Hydraulic Functions:	3
Mounting:	Integral (as shown), bar carriage or class 4

Fielden Engineers Ltd

Walton Street
Sowerby Bridge
Halifax
HX6 1AW UK

Tel: +44 1422 831548
Fax: +44 1422 834910

email: sales@fielden.co.uk
www.fielden.co.uk

***Hydraulic Materials
Handling Equipment***