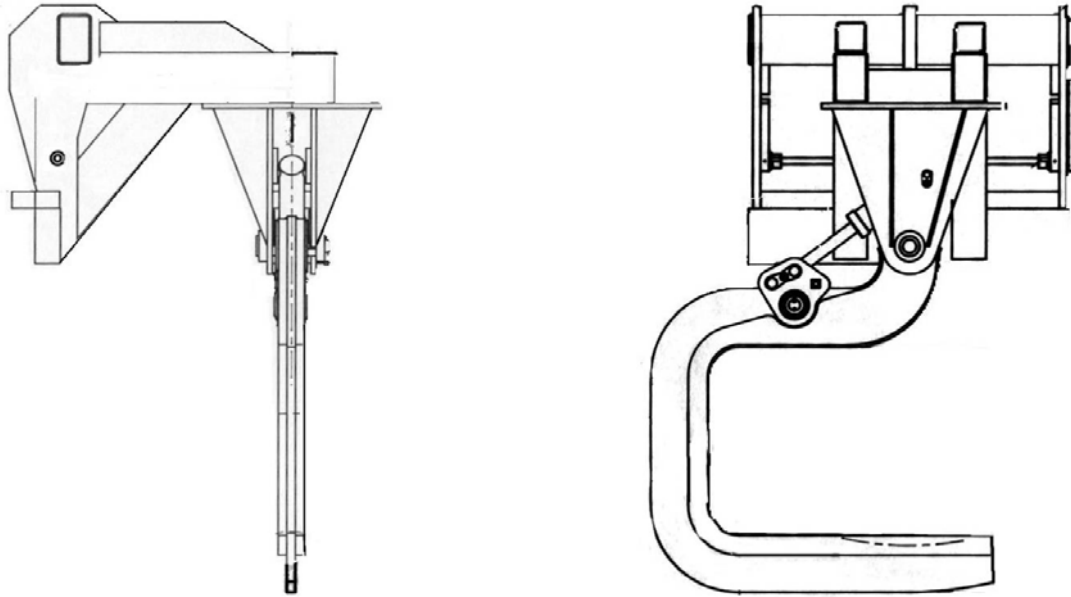


Rotating Coil Hook



Model	Capacity kg Load Centre mm	Centre of Gravity mm	Weight kg
CH 15	15000 / 2300	1500	4400
CH25	25000 / 2300	1965	5340

360 degree rotation and 200 mm sideshift are included as standard

This attachment has 3 hydraulic functions

Above data is for carriage mounted version, other mountings are available

Data may change with mounting type and mast type

Consult Fielden for full technical specification

Fielden Engineers Ltd

Walton Street
Sowerby Bridge
Halifax
HX6 1AW UK

Tel: +44 1422 831548
Fax: +44 1422 834910

email: sales@fielden.co.uk
www.fielden.co.uk

**Hydraulic Materials
Handling Equipment**