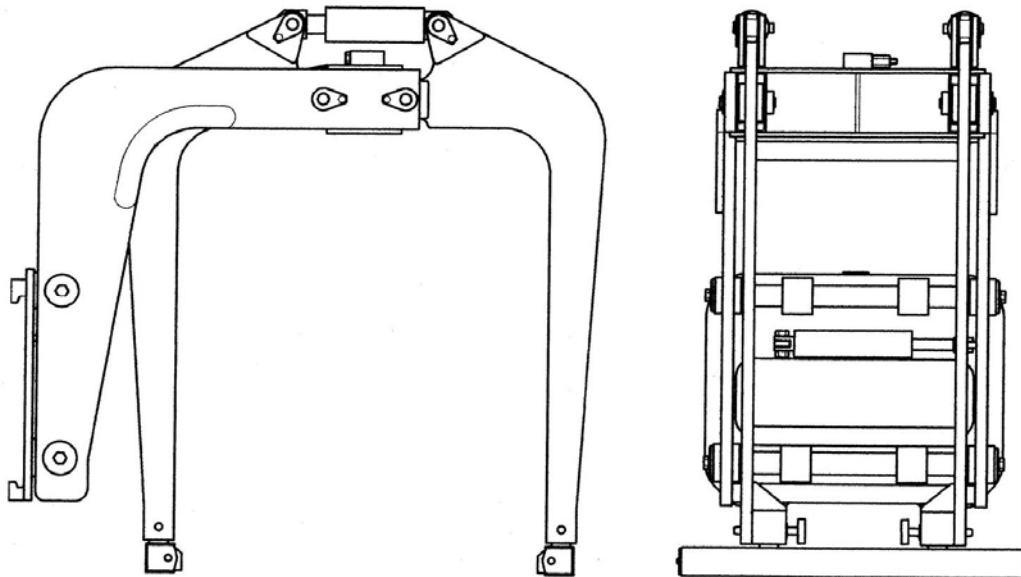


E Series Block Clamp



Model:	E20
Capacity:	2000 kg at 900 mm load centre
Centre of Gravity:	580 mm
Weight:	725 kg
Inside Height:	1100 mm
Opening Range:	400-1180 mm
Grippers:	915 mm
Sideshift:	200 mm total
Mounting:	Class 3A

2 Hydraulic functions
Alternative specifications available

Fielden Engineers Ltd

Walton Street
Sowerby Bridge
Halifax
HX6 1AW UK

Tel: +44 1422 831548
Fax: +44 1422 834910

email: sales@fielden.co.uk
www.fielden.co.uk

***Hydraulic Materials
Handling Equipment***