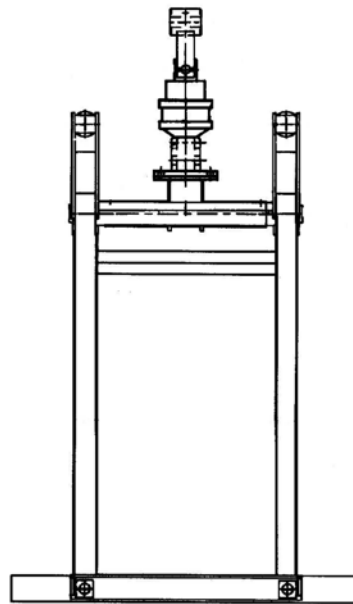
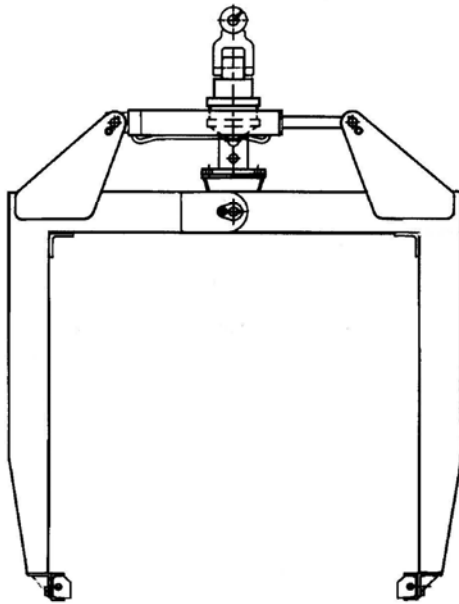


FE 150 Series Brick & Block



Model	Capacity kg	Weight kg	Opening Range mm	Inside Height mm	Grippers mm
FE 150	2000	240	130-1500	1000	915

Weight includes 360 degree rotator, link and grippers
Alternative standard gripper lengths 1000 mm, 1120 mm, 1220 mm
Optional inside heights 1200 mm and 1300 mm

Gated and forged bag hooks are available

Fielden Engineers Ltd

Walton Street
Sowerby Bridge
Halifax
HX6 1AW UK

Tel: +44 1422 831548
Fax: +44 1422 834910

email: sales@fielden.co.uk
www.fielden.co.uk

***Hydraulic Materials
Handling Equipment***