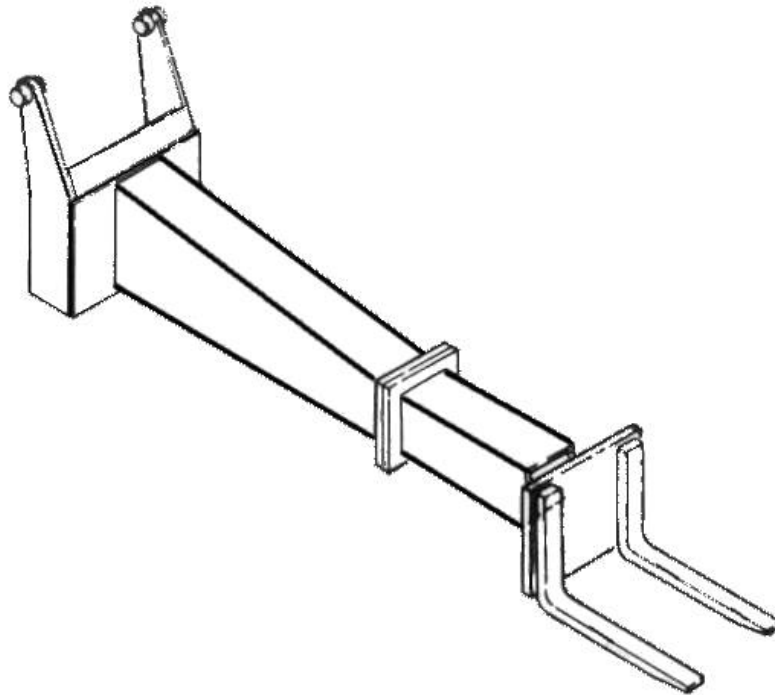


Furnace Charger



Capacities:	Up to 4000 kg
Extended Load Centre:	Up to 4500 mm
Rotation:	180 or 360 degrees
Heat Protection:	To 1000 deg. C.
Hydraulic Services:	I
Mounting:	By forks or direct coupling using hydraulically operated locking system.

Fielden Engineers Ltd

Walton Street
Sowerby Bridge
Halifax
HX6 1AW UK

Tel: +44 1422 831548
Fax: +44 1422 834910

email: sales@fielden.co.uk
www.fielden.co.uk

***Hydraulic Materials
Handling Equipment***