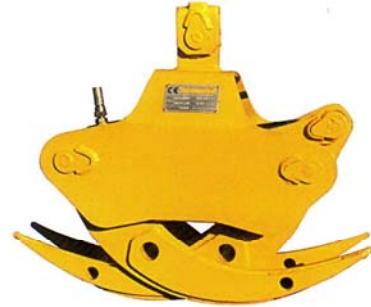


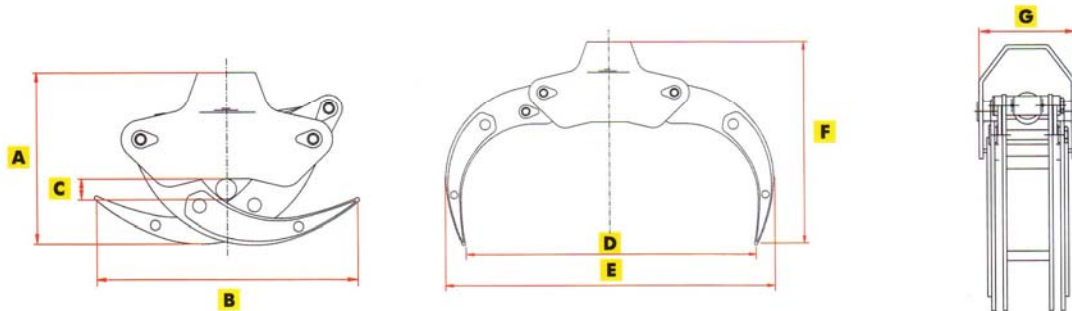
Log Grabs



POTBL



POTBL LL



Model	Weight Kg	Lifting Capacity Kg	A	B	C	D	E	F	G
POTB 100 L	65	800	442	678	61	1000	1129	687	250
POTB 150 L	110	1500	570	890	70	1290	1460	900	350
POTB 350 L	180	2500	650	1020	80	1470	1660	1020	450
POTB 450 L	280	3000	770	1200	100	1740	1960	1210	550
POTB 105 LL	53	800	407	596	42	1143	1207	540	250
POTB 255 LL	110	1500	464	670	48	1303	1375	617	350
POTB 355 LL	180	2500	521	763	54	1464	1540	692	450
POTB 455 LL	280	3000	623	912	65	1750	1845	828	550

Fielden Engineers Ltd

Walton Street
Sowerby Bridge
Halifax
HX6 1AW UK

Tel: +44 1422 831548
Fax: +44 1422 834910

email: sales@fielden.co.uk
www.fielden.co.uk

**Hydraulic Materials
Handling Equipment**