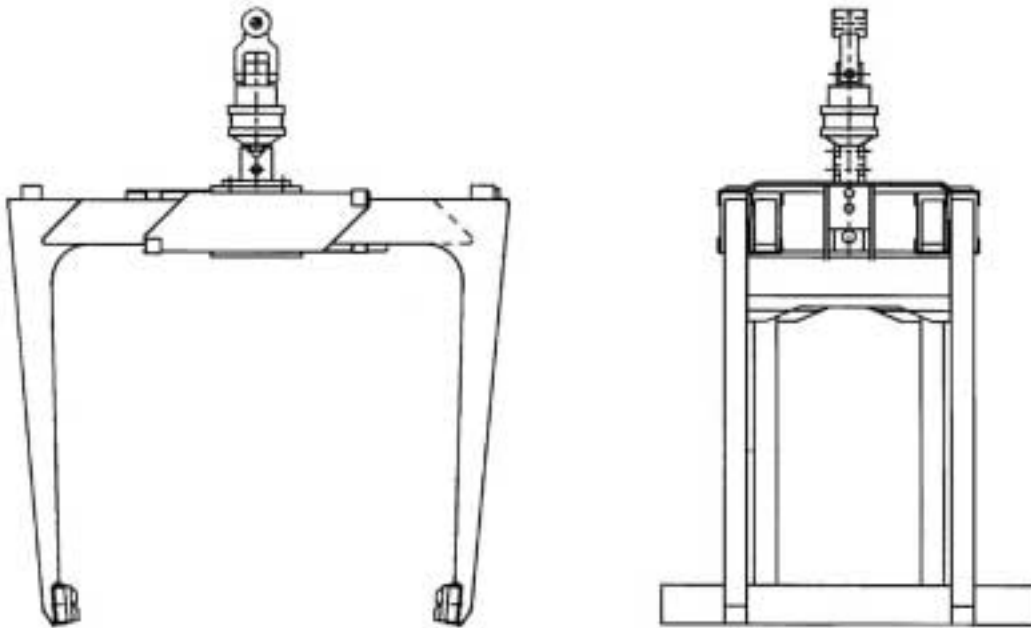




Product Data Sheet

F I E L D E N

NP11 Series Brick & Block Clamp



Model	Capacity kg	Weight kg	Opening Range mm	Inside Height mm	Grippers mm
NP11	2000	270	460-1080	1100	1000
NPS11	2000	280	600-1300	1100	1000
NP11A	2000	295	425-1425	1100	1000
NP11AV	2000/1300	395	425-1425	1200/1600	1000

Weight includes 360 degree rotator, link and grippers
Optional gripper lengths available

Fielden Handling Ltd

Walton Street
Sowerby Bridge
HX6 1AW

Phone: 01422 831548
Fax: 01422 834910
Email: sales@fielden.co.uk
Website: www.fielden.co.uk

Industrial Handling Equipment