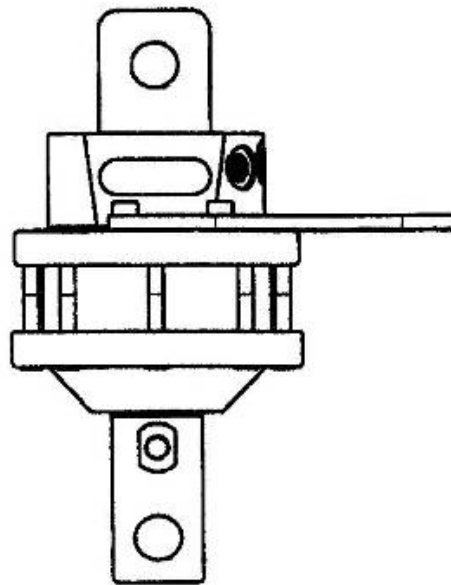
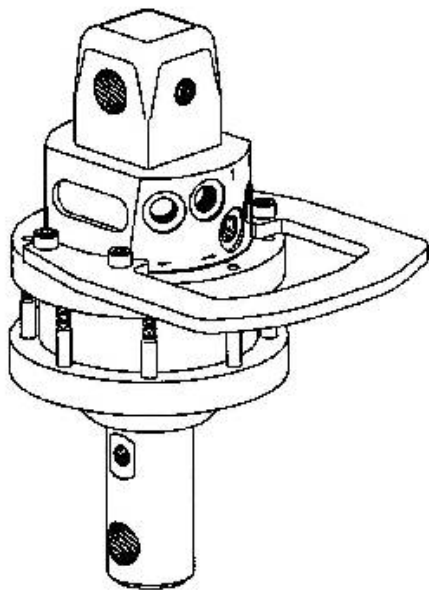


Continuous 360° Rotator - Shaft Mounted



Model	Capacity kg	Weight kg	Height Between Hole Centres mm	Maximum Pressure bar	Ports	Shaft Diameter mm
FR7	3000	16	241	200	3/8 bsp	49.5
FR10	4000	20	280	200	3/8 bsp	59.0

Fielden shaft mounted rotators can be supplied fitted with a base plate and crane link

Fielden Engineers Ltd

Walton Street
Sowerby Bridge
Halifax
HX6 1AW UK

Tel: +44 1422 831548
Fax: +44 1422 834910

email: sales@fielden.co.uk
www.fielden.co.uk

***Hydraulic Materials
Handling Equipment***